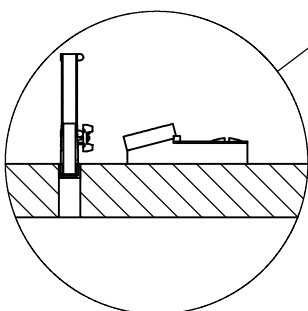


Medical system model STK 100	
Voltage / Frequency	V / Hz 230 / 50
Current / Power	A/kW 10/2,3
Min/Max water pressure	bar/psig 3-6/43,5-87
Min/Max air pressure	bar/psig 6-8/87-116
Working temperatures	C°/F° +5°_ +40° / +41°_ +104°
Air connection	/ G 1/2"
Electrical connection	/ CEE 2P+T 16A 220V Socket
Water connection	/ G 1/2"
Air flow rate	L/min - gal/min 400 - 105,6
Water flow rate	L/min - gal/min 8 - 2,1
Type of water	/ Industrial
Drain connection	Hose mm/in Ø 40 - Ø1,57

ABOUT COMPRESSED AIR AND WATER CONNECTIONS WE SUGGEST TO FIT IN THEIR CORRESPONDENCE A TAP IN CASE OF SERVICE.



Drawn by: S.P.	Date: 28/05/2018	Released by: S.P.	Date: 04/01/2021		
Heat treatment: Surface treatment:					

Material:	Mass: Kg	Category: LAY	Division: Medical	Tolerance: UNI EN 22768 -mk
-----------	----------	---------------	-------------------	-----------------------------

Description:	Scale: Sheets: 1:50	Derived by: A3 2/2	Code: 18000002	Rev: 00
--------------	---------------------	--------------------	----------------	---------