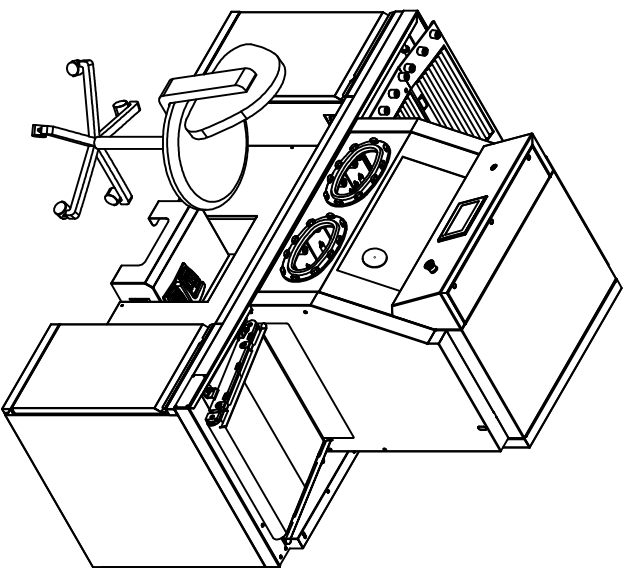
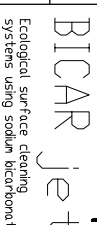


Model Medical System STK 110	
Voltage / Frequency	V / Hz 230 / 50
Absorption	A/kW 16/3,2
Min/Max water pressure	bar/psig 3-6/43,5-87
Min/Max air pressure	bar/psig 6-8/87-116
Working temperatures	C°/F° +5°_+40° / +41°_+104°
Air connection	/ G 1/2"
Electrical connection	/ Socket CEE 2P+T 16A 220V
Water connection	/ G 1/2"
Compresses air flow rate	L/min - gal/min 400 - 105,6
Water flow rate	L/min - gal/min 8 - 2,1
Type of water	/ Industrial
Drain connection	Hose mm/in Ø 40 - Ø 1,57



00	Update data table	S.P.	06/11/2023
Rev	Description:	Author	Date

Drawn by:	S.P.	Date:	24/10/2018	Released by:	S.P.	Date:	11/07/2023	 Ecological surface cleaning systems using sodium bicarbonate						
Heat treatment:	Surface treatment:	Material:	ADM	Mass:	743,2 Kg	Category:	ADM		Division:	Medical	Tolerance:	UNI EN 22768-mK		
Description:	Medical system assembly STK 110							Scale:	Sheet:	120	A3 1/3	Derived by:	12001505	00